
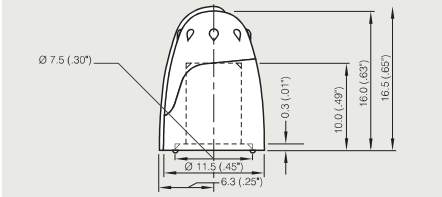

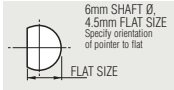

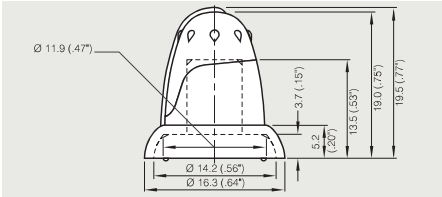

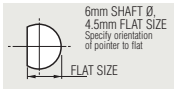


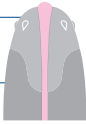

















Trio – Three Color Control Knobs

Complementing Selco's other Push-on knobs is Trio; a range of rotary push-on control knobs produced from a three shot molding process offering unique opportunities of color coding without additional assembly or printing.

Molded from nylon, the body has a contrasting matte textured finish, while the pointer is gloss. A wide range of standard colors are offered and custom combinations can be supplied to special order.

		Dimensions	Part Number	Shaft Style
	11 mm		4/04/TP110 006/13 6mm Ø shaft 18 splines	
			4/04/DR110 006/26 6mm Ø shaft with 4.5mm flat	
	11 mm		4/04/TPN110 006/13 as above but with nut cover	
			4/04/DRN110 006/26 as above but with nut cover	

Standard Catalog Colors

Top: Gray 6		Lupin 118		Peach 409		Yellow 10		Pastel Green 119		Pale Blue 105		Cream 106
Base: Gray 99												
Top: Gray 91		Magenta 129		Orange 23		Yellow 10		Bright Green 127		Bright Aqua 128		White 44
Base: Black 5												
Top: Blue 380		Magenta 129		Orange 23		Yellow 10		Bright Green 127		Bright Aqua 127		Gray 99
Base: Gray 6												

Ordering procedure

It is essential that the correct part number is used with the color combination in the right sequence. The product number for the DR and DRN variants include **000** (No. 6 in the example) which is to be used to specify the flat position in degrees from the standard position opposite the pointer, when viewed from above. Following the product and flat position code are the color combinations in the sequence shown (right).

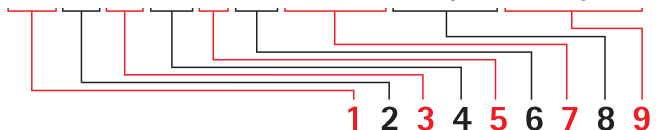
Packaging

Trio knobs will be packed in bulk.

*Please note that the colors represented are intended as a guide only and can not be accurate due to the limitations of the printing process

Example Part Number sequence

4/04/DR110 006/26/000/Blue 380/ Gray 6 / Orange 23



Sequence of colors*



1=Trio design, 2=Flatted shaft, 3=Body diameter, 4=Shaft diameter, 5=Shaft configuration, 6=Pointer orientation from shaft flat - where applicable, 7=First color (Top), 8=Second color (Base), 9=Third color (Pointer)