

STRAIN GAUGE METER

ASG-156A

*BCD, ANALOG Option



■ Specifications

● Measuring Section

Accuracy:	0.1%FS ± 1 digit (23°C ± 5 °C)
Conversion Rate:	2.5 times/sec, 12.5 times/sec(50Hz) or 15 times/sec(60Hz)
Display:	LED, 10mm (Red)
Max. Display:	0 to ± 4999
Polarity:	A "-" is display automatically
Overrange Indication:	When input exceeds the maximum display, flashing just before overflow number
Decimal Point:	Settable to any digit position (By DIP switch on the display board)
Zero Display:	Leading zero suppression
Monitor Display:	Peak hold, Digital zero
Sensor:	Strain gauge sensor 350 Ω
Excitation Supply:	5VDC $\pm 5\%$ less than 60mA 10VDC $\pm 5\%$ less than 30mA
Zero Adjustment:	± 0.3 mV/V
Gain Adjustment:	1mV/V to 3mV/V (to the fullscale 4999)
Calibration Value:	1mV/V (By CAL switch on the display board)
Frequency Coefficient:	Approx. 2Hz (-3dB)
Temperature Coefficient:	Zero: $\pm 0.02\%$ FS/°C Gain: $\pm 0.02\%$ rdg/°C
External Control:	Hold: COM terminal and HOLD terminal shorted or 0V Start: 0V to +5V pulse (20mS to 45mS) or contact signal

● Comparator Section

Control System:	Microcomputer
Setting Range:	-9999 to +9999 with polarity
Comparative Condition:	HI setpoint < Indication \rightarrow HI HI setpoint \geq Indication \geq LO setpoint \rightarrow GO Indication < LO setpoint \rightarrow LO
Hysteresis:	No hysteresis (Option; 10digits)
Relay Contact Capacity:	250VAC 0.1A resistive load 120VAC 0.5A resistive load 28VDC 1A resistive load
Photo Coupler Capacity:	Sink current Max. 20mA (less than 30V) Saturation voltage=less than 1.2V at 20mA

● Common Section

Operating Temperature:	0 to 50 °C, 35 to 85% RH
Power Supply:	90 to 132VAC 180 to 264VAC 5VA (at 100V)
Power Consumption:	5VA (at 100V)
Dimensions:	48(H) \times 96(W) \times 144(D) mm DIN size
Weight:	Approx. 450g (unit only)
Dielectric Strength:	Input(-SIG) and earth, COM, 500VDC Power supply and input, earth, COM, case, relay output, 1500VAC/1min
Insulation Resistance:	500VDC more than 100M ohms at the above terminals
Accessories:	Screw terminal (10P) 2pcs, Instruction Manual

■ Features

- Built-in Microcomputer
- Peak Hold, Digital Zero, Tracking Zero
- HI and LO setpoints
- Bright LED, 10mm (Red)
- Excitation supply 5VDC, 10VDC
- Analog Peak Hold
- BCD output
- Direct connect strain gauge sensor

■ Output

● BCD data output (Isolated input (-SIG))

- At Open collector (NPN)
 - Measured Data: Negative logic Transistor "ON" at logic 1
 - Polarity Signal: Transistor "ON" at minus input
 - Over Signal: Transistor "ON" at overflow input
 - Printing Command Signal: Transistor "ON" during a period for approx 1mS at every measurement completion
- Transistor Output Capacity:
 - Applied voltage, 30V max. Current 10mA max Saturated output voltage less than 1.2V at 10mA

• At TTL

Fun out 2, Tri-state parallel BCD, positive logic

• Analog Output

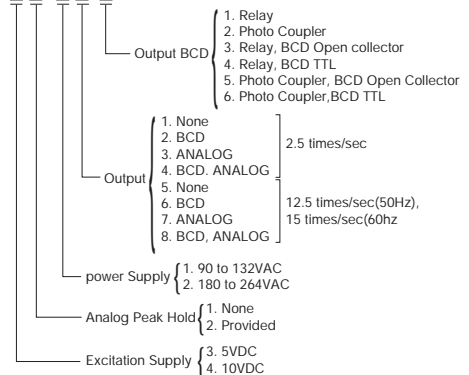
- Voltage: 0 to 5V
- Accuracy: 0.5% FS (23°C ± 5 °C)
- Resolution: 1mV/digit
- Resistive Load: More than 5K Ω

• Analog Peak Hold

- Operating speed: DC~1ms
- Accuracy: 0.5% FS
- External Control: P/F terminal

■ Ordering Code

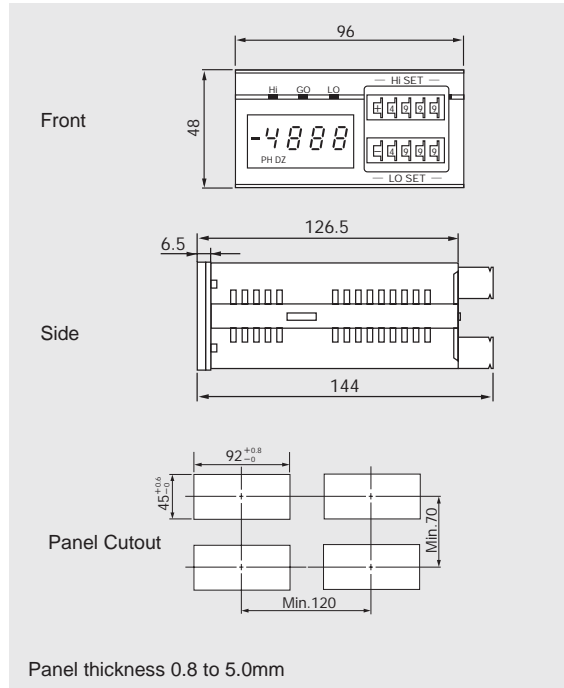
ASG-156A-□-□-□-□



STRAIN GAUGE METER

ASG-156A

Dimension



Connection Diagram

