

# REMOTE MONITOR

## AI-105A

### \*Polarity Display



### ■ BCD Parallel Input

Model & Code	Input Level	Input pull up Resistance	Power Supply
AI-105A-11	TTL	4.7kΩ	DC5V
AI-105A-12	CMOS	100kΩ	DC5V
AI-105A-22	10% H % 12 0% L % 2	100kΩ	DC12V

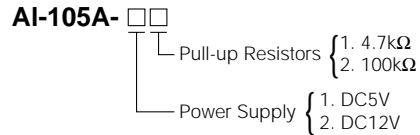
### ■ Specifications

Data Input:	Parallel BCD input (Selectable positive or negative logic) 5VDC (CMOS/TTL level) 12VDC (0%L%2, 10%H%12)
Max. Display:	-99999
Display:	LED, 14.2mm 5 digits
Polarity:	Display "-", when terminal 14 open or logic "1" at positive logic Display "-", when terminal 14 and 17, U shorted or logic "0" at negative logic Data latch, when terminal R open or logic "1" at positive logic Data latch, when terminal r and 17, U shorted at negative logic
External Control:	
Decimal Point:	Settable to any digit position
Segment Chec:	Terminal 13 and COM shorted
Power Supply:	5VDC±10% 12VDC±10%
Power Consumption:	Max. 30mA per digit (Display "8")
Dimensions:	48(H) × 96(W) × 73(D) mm DIN size
Weight:	95 g (Unit only)
Accessories:	Connector, Instruction manual

### ■ Features

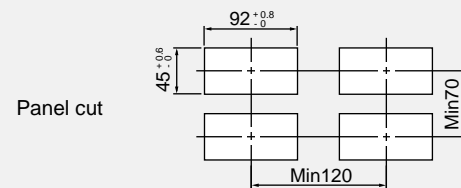
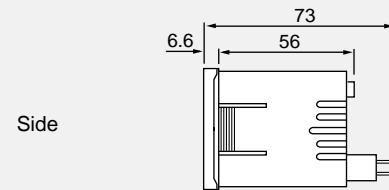
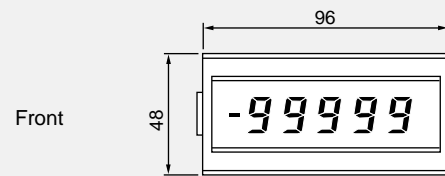
- BCD Parallel input (Positive or Negative logic)
- With Polarity display
- Leading Zero suppression
- Bright LED, 14.2mm (Red)

### ■ Ordering Code



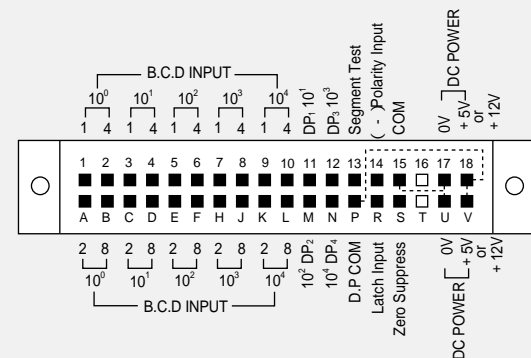
Note: Not available AI-105A-21

### ■ Dimensions



Panel thickness 0.8 to 5.0mm

### ■ Connection Diagram



# REMOTE MONITOR

## AI-204

### \*Miniature Size



### ■ BCD Parallel Input

Model Code	Input Level	Pull-up Resistance	Power Supply
AI-204-11	TTL	4.7kΩ	DC5V
AI-204-12	CMOS	100kΩ	DC5V
AI-204-22	0 L 2 10 H 12	100kΩ	DC12V

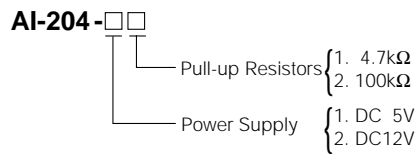
### ■ Specifications

Data Input:	Parallel BCD input DC5V(CMOS/TTL level) DC12V(0 ≤ L ≤ 2, 10 ≤ H ≤ 12)
Zero Display:	Leading zero suppression
Display:	LED, 10mm
Decimal Point:	Settable to any digit position
Power Supply:	DC5V±10% DC12V±10%
Operating Temperature:	0~50°C, 35 to 85%RH
Power Consumption:	Approx. 35mA/digit
Dimensions:	24(H) × 48(W) × 73(D)mm DIN Size
Weight:	60g

### ■ Features

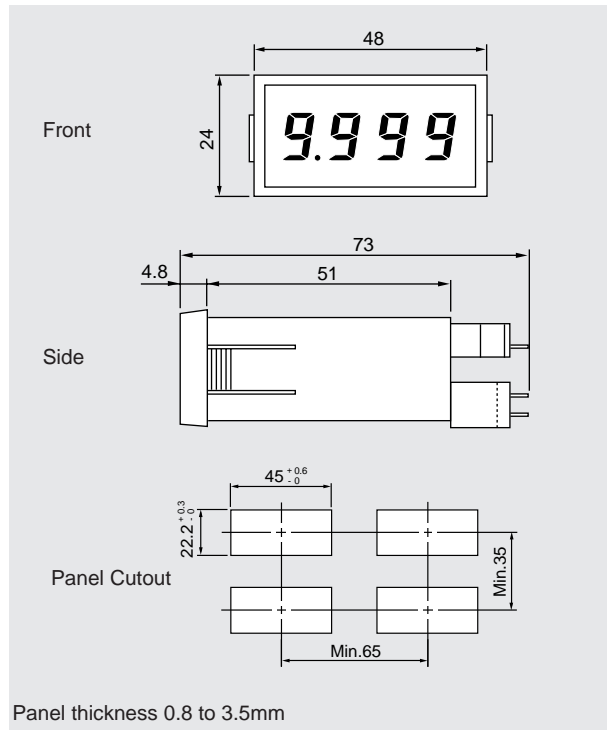
- BCD Parallel input
- With latch
- Leading zero suppression
- Bright LED, 10mm(Red)

### ■ Ordering Code

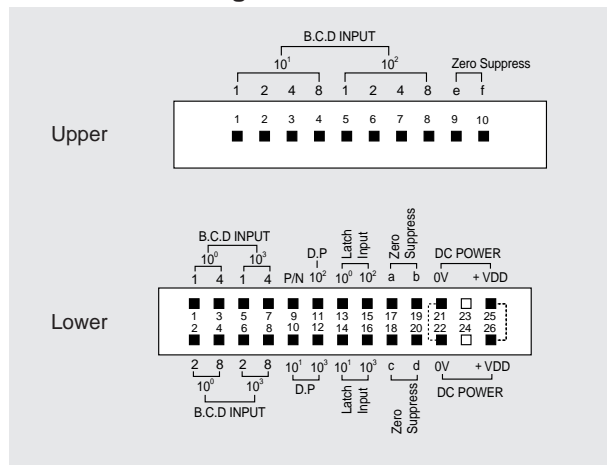


Note: Not available AI-204-21

### ■ Dimensions



### ■ Connection Diagram



# BCD REMOTE INDICATOR

## AI-304



### ■ BCD Parallel input

Model code	Input Level	Pull-up Resistance *
AI-304-1	TTL	4.7K
AI-304-2	CMOS	100K

\*internal pull-up

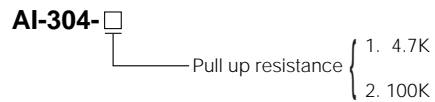
### ■ Specifications

Data input :	BCD parallel input (can change positive or negative logic by front switch) -9999
Max. display :	DC5V(CMOS/TTL level)
Display :	LED, 14.2mm (Red)
Polarity :	<ul style="list-style-type: none"> <li>• At positive logic; polarity terminal open or level 1</li> <li>• At negative logic; polarity terminal and COM short or level 0</li> </ul>
Zero display :	Leading zero suppression
External control :	<ul style="list-style-type: none"> <li>• Data latch</li> <li>At positive logic; each latch terminal open or logic 1</li> <li>At negative logic; each latch terminal and COM short or level 0</li> <li>• Decimal point</li> <li>Settable to any digit position</li> </ul>
Operating temp. :	0 to 50°C 35 to 85%RH
Power supply :	DC24V ± 20%
Power consumption :	55mA (TYP)
Dimensions :	72(W) × 36(H) × 119(D)mm DIN size
Weight :	approx. 140g
Dielectric strength :	Power supply (0V)/COM, DC500V/min. Power supply (0V)/case, AC1500V/min.
Insulation resistance :	DC250 V more than 100MΩ

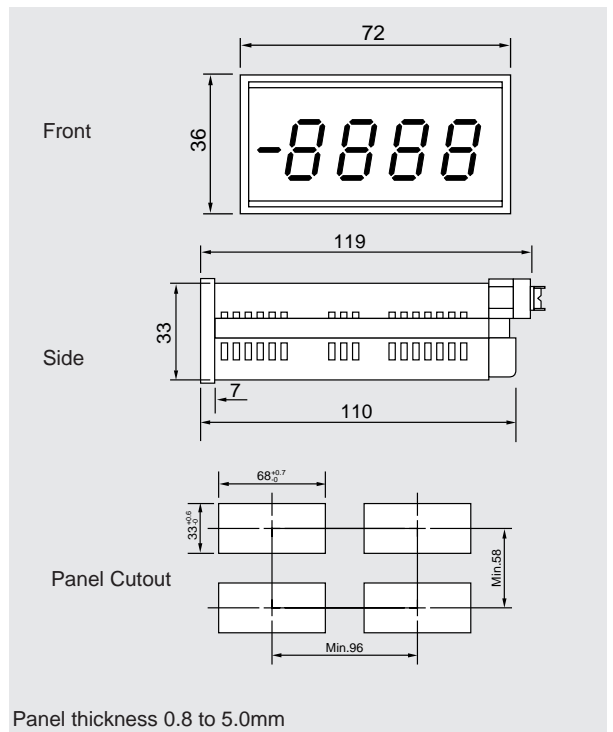
### ■ Features

- BCD Parallel input
- 4 digits
- Leading zero suppression
- Bright LED, 14.2 mm

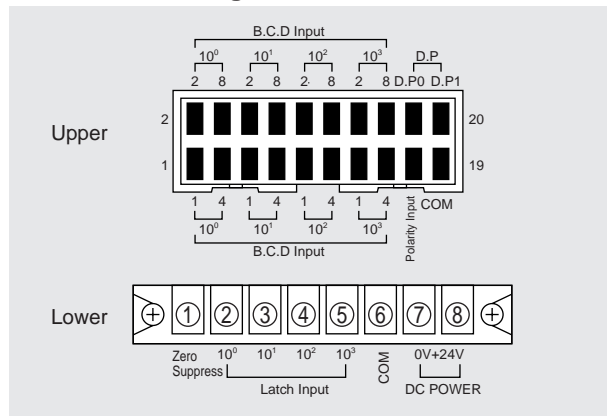
### ■ Ordering Code



### ■ Dimensions



### ■ Connection diagram



\*Upper terminal COM and lower terminal COM are internally connected.

# REMOTE MONITOR

## AI-404

### \*Leading Zero Suppression



### ■ BCD Parallel Input

Model & Code	Input Level	Input pull up Resistance	Power Supply
AI-404-11	TTL	4.7k $\Omega$	DC5V

### ■ Specifications

Data Input:	Parallel BCD Input DC5V(TTL Level)
Display:	LED, 14.2mm, 4 digits
Decimal Point:	Settable to any digit position
Power Supply:	DC5V $\pm$ 5%
Operating Temperature:	0~50°C, 35 to 85%RH
Power Consumption:	Approx. 120mA
Dimensions:	24(H) $\times$ 96(W) $\times$ 97(D)mm DIN Size
Weight:	Approx. 90g

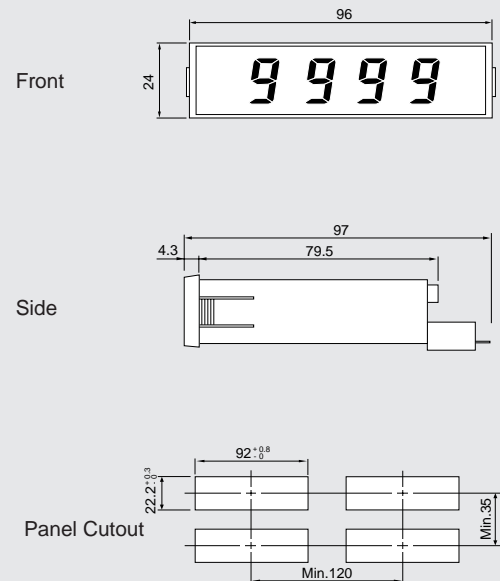
### ■ Features

- BCD parallel input
- Bright LED, 14.2mm(Red)
- Leading zero suppression(option)

### ■ Ordering Code

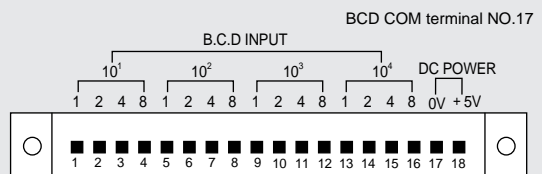
AI-404-11

### ■ Dimensions



Panel thickness 0.8 to 4.0mm

### ■ Connection Diagram



# REMOTE MONITOR

## AI-406

\*With Latch



### BCD Parallel Input

Model & Code	Input Level	Input pull up Resistance	Power Supply
AI-406-11	TTL	4.7kΩ	DC5V
AI-406-12	CMOS	100kΩ	DC5V
AI-406-22	10 H 12 0 L 2	100kΩ	DC12V

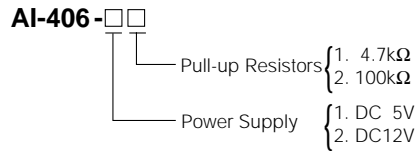
### Specifications

Data Input:	Parallel BCD input DC5V (CMOS/TTL Level) DC12V ( $0 \leq L \leq 2, 10 \leq H \leq 12$ )
Zero Display:	Leading zero suppression(option)
Display:	LED, 14.2mm, 6 digits
Decimal Point:	Settable to any digit position
Power Supply:	DC5V±10%, DC12V±10%
Operating Temperature:	0~50°C, 35 to 85%RH
Power Consumption:	Approx. 35mA/digit
Dimensions:	24(H) × 96(W) × 97(D)mm DIN Size
Weight:	Approx. 90g

### Features

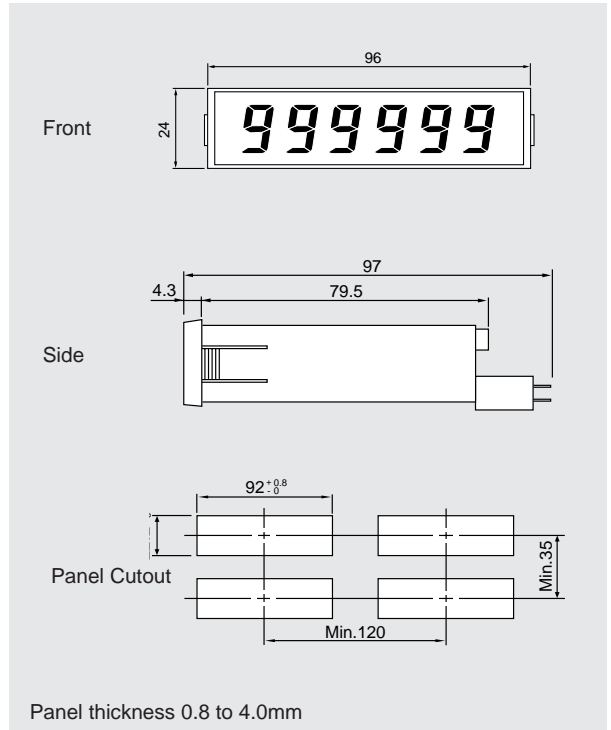
- BCD parallel input
- With latch
- Leading zero suppression
- Bright LED, 14.2mm(Red)

### Ordering Code

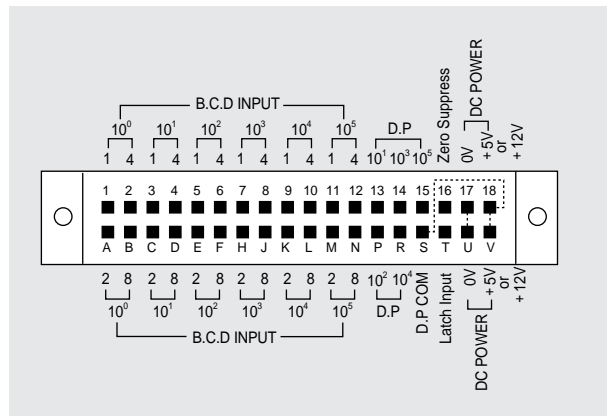


Note: AI-406-21 is not available

### Dimensions



### Connection Diagram



# REMOTE MONITOR

## AI-416

\*Input 24V DC



### ■ Specifications

Data Input:	Parallel BCD Input DC24V ( $0 \leq L \leq 2$ , $20 \leq H \leq 24$ )
Zero Display:	Leading zero suppression (option)
Display:	LED 14.2mm, 6 digits
Decimal Point:	Settable to any digit position
Positive Logic:	Connect terminal (U) and 0V terminal (17)
Negative Logic:	Connect terminal (U) and +24V terminal (18, V)
Power Supply:	DC24V $\pm 10\%$
Operating Temperature:	0~50°C, 35 to 85%RH
Power Consumption:	Approx. 90mA
Dimensions:	24(H) $\times$ 96(W) $\times$ 97(D)mm DIN Size
Weight:	Approx. 130g

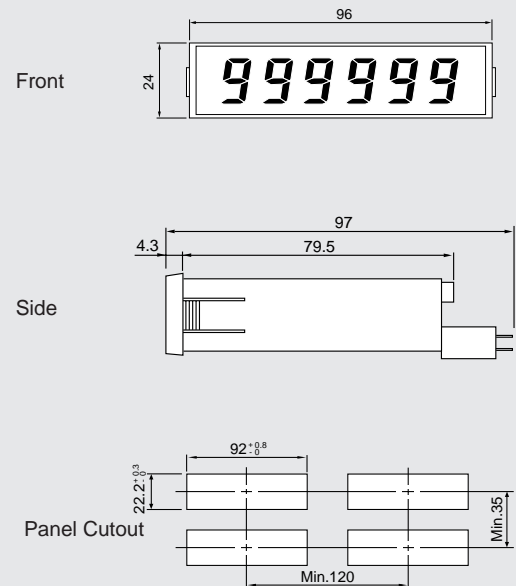
### ■ Features

- BCD parallel input
- With latch
- Leading zero suppression
- Bright LED, 14.2mm (Red)
- Power supply, DC24V

### ■ Ordering Code

AI-416

### ■ Dimensions



Panel thickness 0.8 to 4.0mm

### ■ Connection Diagram

