

PROCESS MONITOR

AS-104

*With Excitation Power Supply



DC Voltage Measurement

Model	Range	Display Adjustable	Input Impedance	Input Protection
AS-104-1V	1-5V	Offset ±1000	1MΩ	±250V
AS-104-0V	0-1V		100MΩ	
AS-104-2V	0-5V	Fullscale 100-1999	1MΩ	
AS-104-3V	0-10V		1MΩ	
AS-104-5V	0-100mV	100MΩ		

Accuracy: ±0.1% rdg. ±2 digit (23°C±5°C)

DC Current Measurement

Model	Range	Display Adjustable	Internal Resistance	Input Protection
AS-104-2A	4-20mA	Offset	125Ω	±50mA
AS-104-0A	0-1mA	±1000	100Ω	
AS-104-1A	0-10mA	Fullscale 100-1999	100Ω	
AS-104-3A	0-20mA		50Ω	

Accuracy: ±0.1% rdg. ±2 digit (23°C±5°C)

Analog Output Specifications

Model	Output	Load Resistance
AS-104- -1V	1~5V	Min. 1kΩ
AS-104- -2A	4~20mA	0~600Ω
AS-104- -0V	0~1V	Min. 500Ω
AS-104- -2V	0~5V	Min. 1kΩ
AS-104- -3V	0~10V	Min. 1kΩ
AS-104- -4V	0~10mV	Min. 10kΩ
AS-104- -5V	0~100mV	Min. 100kΩ
AS-104- -0A	0~1mA	0~12kΩ
AS-104- -1A	0~10mA	0~600Ω
AS-104- -3A	0~20mA	0~600Ω

Specifications

Input Configuration: Single Ended
Input Bias Current: 2nA(TYP.)
Conversion Rate: 2.5/sec(Can adjust 0.3/sec to 2/sec)
Normal Mode Rejection: More than 50dB(50/60Hz)
Temperature Characteristic: Less than 100PPM/°C
Display: LED, 14.2mm(Red)
Polarity: A "-" is displayed automatically
Decimal Point: Settable to any digit position
Overrange Indication: When input exceeds the maximum display, 000 flashes
Fullscale Adjustment: 100-1999
Offset Adjustment: ±1000
Span Range: 2000 counts
Zero Display: Leading zero suppression(Select by front switch)
Last Digit Suppression: Can fix 100 digit to "0"
 (Select by internal jumper wire)
Hold: Negative signal 0V or short
Excitation Supply: DC24V±10% 30mA, DC12V±10% 60mA
Operating Temperature: 0-50°C, 35 to 85%RH
Power Consumption: 5VA
Power Supply: AC90~132V, AC180~264V
Dimensions: 48(H) × 96(W) × 144(D)mm DIN Size
Weight: Approx. 450g
Dielectric Strength: Between power supply and input, output, earth, COM, AC1500V/min
 Between input and output, AC1500V/1 min.
Insulation Resistance: DC±500V, 100MΩ at above terminals

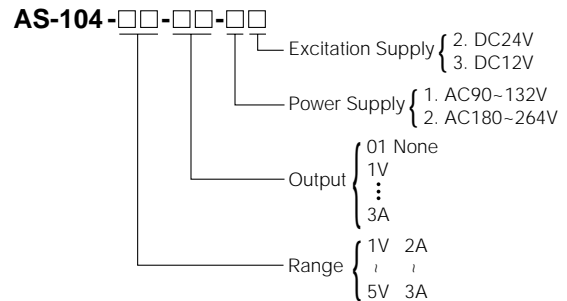
Features

- Offset Adjustable ±1000
- Fullscale Adjustable 100~1999
- Span Range 2000 Counts
- Leading Zero Suppression
- Last digit suppression available
- Analog Output(Isolated)(option)
- Excitation Power Supply DC24V, 12V for Transducer
- Power Supply AC90~132V, AC180~264V
- Dimensions 48(H) × 96(W) × 144(D)mm
- Bright LED, 14.2mm(Red)
- Variable conversion rate 0.3/sec~2/sec(option)

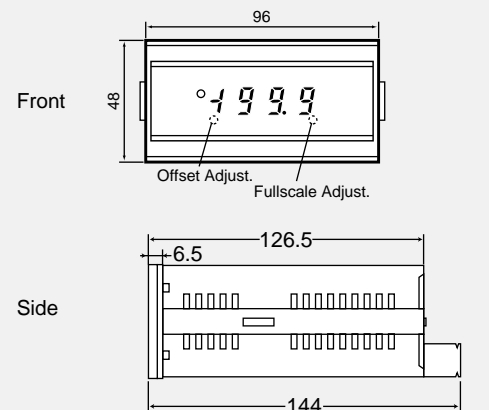
Analog Output

Allowable: 0.15% F.S.(23°C±5°C)
Linearity: 0.1% F.S.
Response Time: Less than 0.5 sec(0~90%)
Temperature Coefficient: Less than 200PPM/°C
Output Adjustable Range: Zero:More than ±3% of Span
 Span:More than ±3% of Span

Ordering Code



Dimensions



Panel thickness 0.8 to 5.0mm

Connection Diagram

