

PROCESS MONITOR

AS-103A

*BCD, Analog Output Option



■ DC Voltage Measurement

Model	Range	Display Adjustable	Input Impedance	Input Protection
AS-103A-11	±199.9mV	Offset ±1000	100MΩ	±250V
AS-103A-12	±1.999V		100MΩ	±250V
AS-103A-13	±19.99V	Fullscale	10MΩ	±250V
AS-103A-14	±199.9V		±100~1999	10MΩ

Accuracy: ±0.1% rdg. ±2 digits (23°C ±5°C)

■ DC Current Measurement

Model	Range	Display Adjustable	Internal Resistance	Input Protection	
AS-103A-21	±199.9μA	Offset ±1000	1kΩ	±10mA	
AS-103A-22	±1.999mA		100Ω	±50mA	
AS-103A-23	±19.99mA	Fullscale	10Ω	±150mA	
AS-103A-24	±199.9mA		±100~1999	1Ω	±500mA
AS-103A-25	±1.999A		0.1Ω	±3A	

Accuracy: 0.2% rdg. ±2 digits (23°C ±5°C)

■ 1~5V Measurement

Model	Range	Display Adjustable	Input Impedance	Input Protection
AS-103A-1V	1~5V	Offset ±1000 Fullscale 100~1999	1MΩ	±250V

Accuracy: ±0.1% rdg. ±2 digits (23°C ±5°C)

■ 4~20mA Measurement

Model	Range	Display Adjustable	Internal Resistance	Input Protection
AS-103A-2A	4~20mA	Offset ±1000 Fullscale 100~1999	51Ω	±100mA

Accuracy: ±0.1% rdg. ±2 digits (23°C ±5°C)

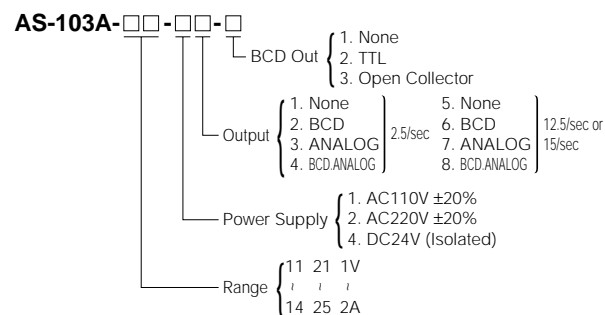
■ Specifications

Input Configuration: Single Ended
Input Bias Current: 2nA (Typ.)
Conversion Rate: 2.5/sec or 12.5/sec (50Hz), 15/sec (60Hz)
Normal Mode Rejection: More than 40dB (50/60Hz)
Display: LED, 14.2mm 3 1/2 digits
Polarity: A "-" is displayed automatically
Decimal Point: Settable to any digit position
Overrange Indication: When input exceeds the maximum display, 1999 flashes
Fullscale Adjustment: 100~1999
Offset Adjustment: ±1000
Span: 2000 counts
Analog Output: 0~±2V
Output: Open Collector for all output, Sink current 10mA (Max.) Vce 30V (Max.)
 ¥ Data Output
 Parallel BCD (Isolation)
 ¥ Polarity Output
 Current sink when display is (+)
 ¥ Overrange Output
 Current sink when input signal exceeds 1999
 ¥ Print Command Output
 Current sink for 1ms after measurement is finished
Power Supply: AC110V ±20%, AC220V ±20%, DC24V ±20%
Operating Temperature: 0~50°C, 35 to 85%RH
Power Consumption: 2VA
Dimensions: 48(H) × 96(W) × 95(D)mm DIN Size
Weight: Approx. 220g
Dielectric Strength: Between input (Lo) terminal and digital common, DC ±500V
 Between power supply terminal and input terminal, earth, common, AC1500V/1 min.
 DC500V 100MΩ at above terminals
Insulation Resistance:

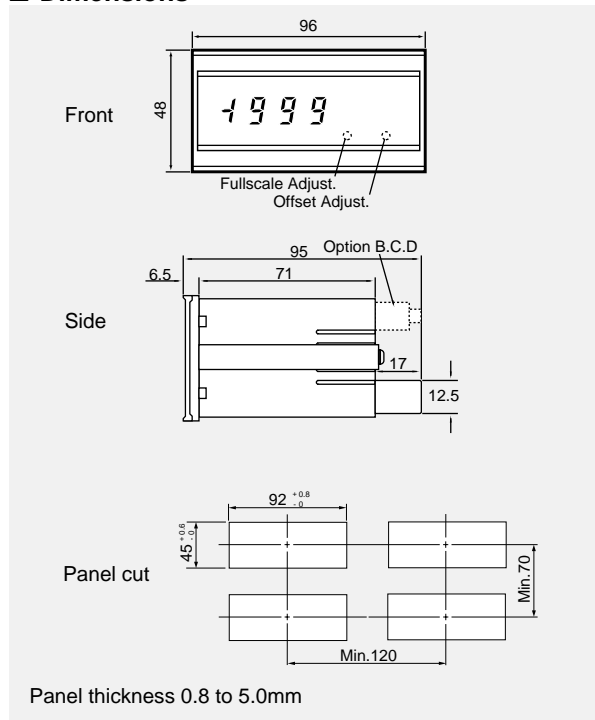
■ Features

- Easily adjustable for offset-fullscale from the front panel (Span 2000 counts)
- Bright LED, 14.2mm (Red)
- Screw terminals for input and power supply
- DIN size 48(H) × 96(W)mm
- Parallel BCD output (Open collector) (option)
- Analog output (0.1mV/digit) (option)
- Leading Zero Suppression

■ Ordering Code



■ Dimensions



■ Connection Diagram

