

PROCESS MONITOR

AL-203

*Self Power



■ 4~20mA Measurement

Model	Range	Display Adjustable	Input Protection
AL-203	4~20mA	Offset ±200 Full-scale 100~1999	±50mA

Accuracy: ±0.2% F.S. ±2 digit (23°C±5°C)

■ Specifications

Input Configuration:	Single Ended
Conversion Rate:	2.5/sec
Normal Mode Rejection:	NMR 40 dB or more(50/60 Hz)
Temperature Coefficient:	Offset ±0.3digit/°C(MAX.) Full-scale ±0.3digit/°C(MAX.)
Overrange Indication:	When input exceeds the maximum display, display+1
Full-scale Adjustment:	100~1999
Offset Adjustment:	±200
Span:	2000 Counts
Voltage Drop:	2.4V(at 20mA)Typ. 2.1V(at 4mA)Typ.
Display:	LCD, 7.4mm
Polarity:	A "-" is displayed automatically
Decimal Point:	Settable to any digit position
Engineering Unit:	%, °C, °F
Operating Temp:	0~+50°C, (OPTION-30°C~+80°C)35~85% RH
Power Supply:	Current loop power(4~20mA)
Dielectric Strength:	Between Lo and Earth, DC 500V
Dimension:	24(H) × 48(W) × 24(D)mm DIN Size
Weight:	20g

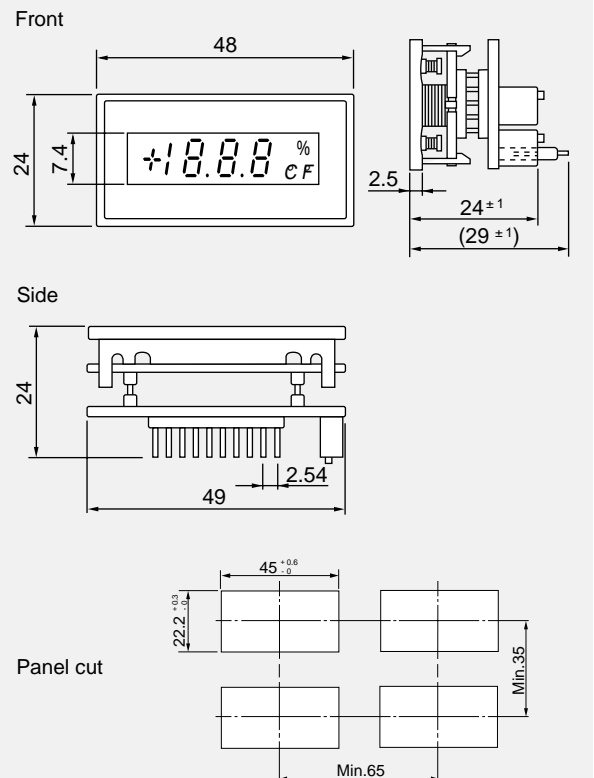
■ Features

- Loop Power(4~20mA)
- Adjustable offset and full scale
- LCD display 7.4mm
- 4~20 mA measurement
- Option-30°C~+80°C operating

■ Ordering code

AL-203

■ Dimensions



■ Connection Diagram

