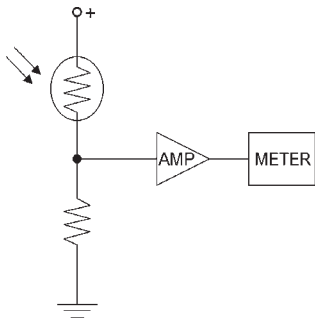
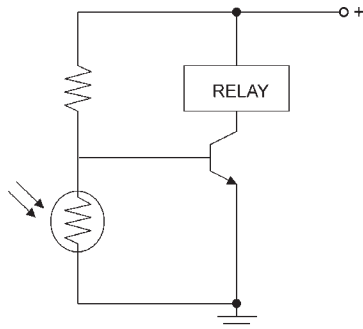


Typical Application Circuits



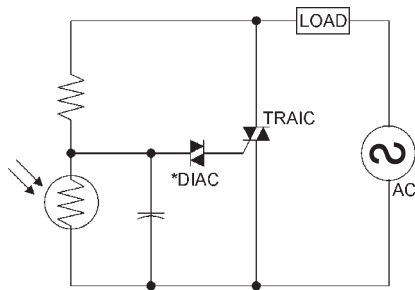
AMBIENT LIGHT MEASUREMENT

Camera Exposure Meter
Brightness Control



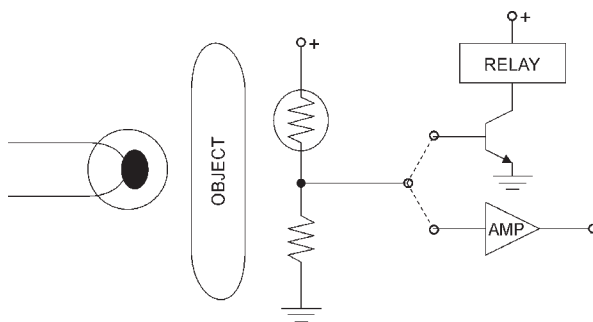
DC RELAY

Smoke Detector
Rear View Mirror Flipper-Auto
Head Light Dimmer



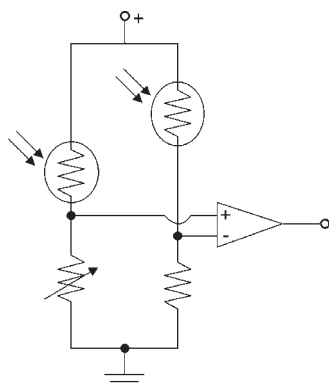
AC RELAY

Night Light Control
Street Light Control
Flame Detector



OBJECT SENSING/MEASUREMENT

Beam Breaking Applications
Card Reader
Security Systems
Colorimetric Test Equipment
Densitometer



BRIDGE CIRCUITS

Auto Focus
Electronic Scales
Photoelectric Servo